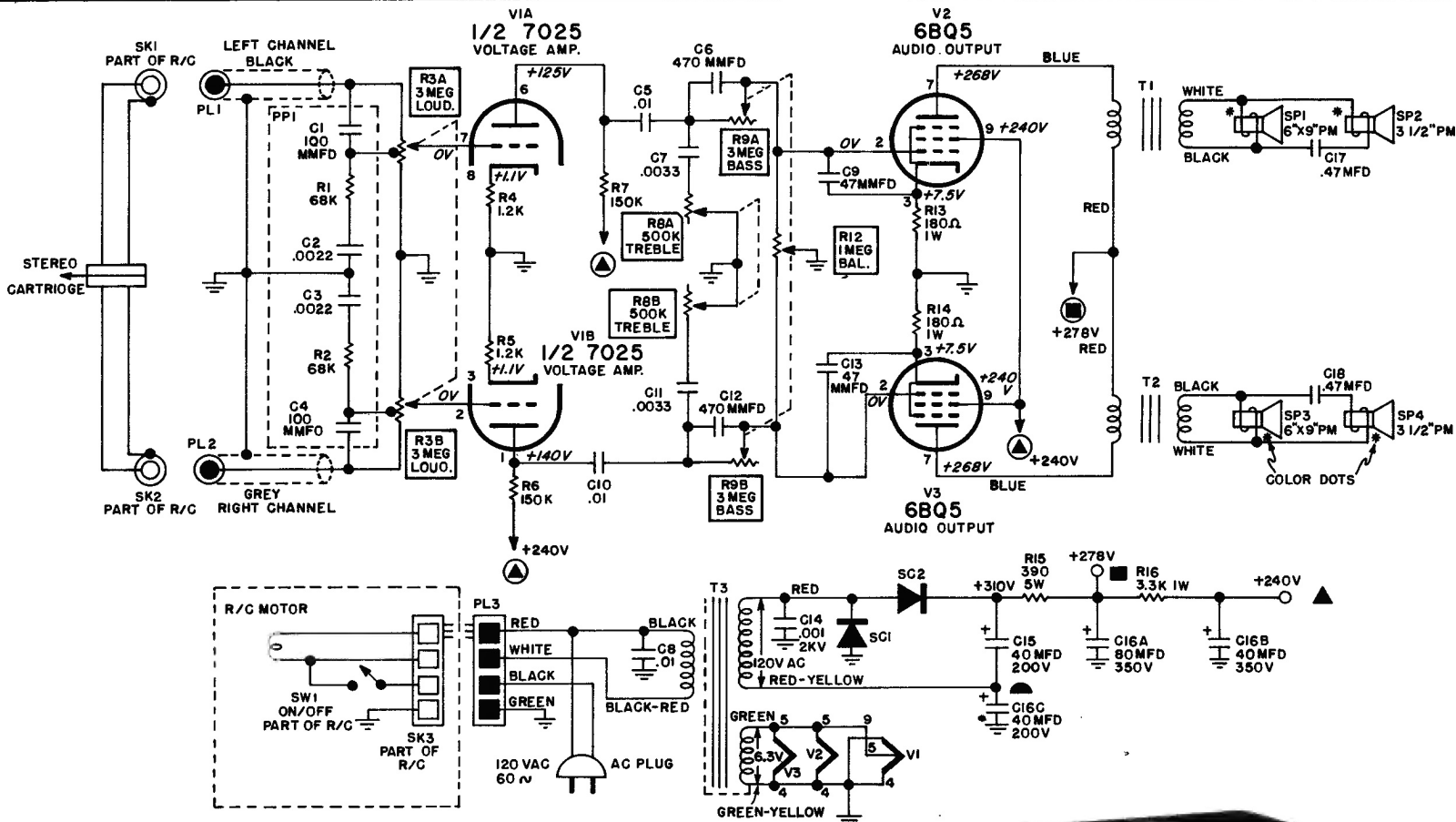


SYLVANIA

CHASSIS: 408-1,-2

MODELS SC508K, M, TG, W, SC511M, W



— SCHEMATIC NOTES —

1. VOLTAGES SHOWN ARE AVERAGE READINGS MEASURED TO CHASSIS WITH NO SIGNAL INPUT. VARIATIONS MAY BE NOTED DUE TO NORMAL PRODUCTION TOLERANCE.
2. LINE VOLTAGE 120 VOLT, 60 CYCLE.
3. ALL CAPACITORS IN MICROFARADS UNLESS OTHERWISE SPECIFIED.
4. VOLTAGE SOURCES ARE INDICATED BY SYMBOLS ▲ ; THE CORRESPONDING SYMBOLS WITH CIRCLES ▲ INDICATE VOLTAGE TIE POINTS.
5. R3, R8 AND R9 ARE DUAL CONTROLS.
6. ⏏ DESIGNATES CHASSIS GROUND.



MODEL SC511M, W